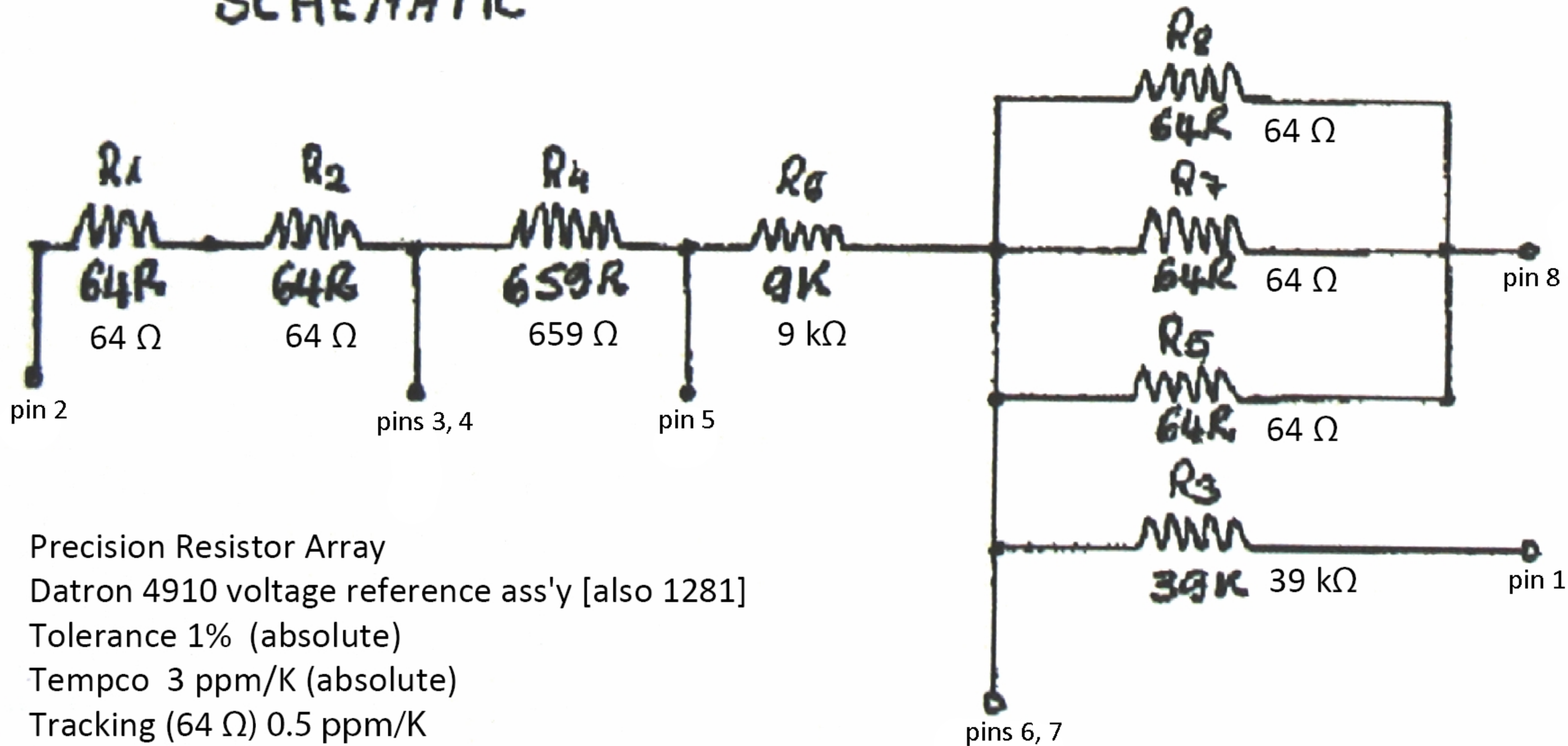


SCHEMATIC



Precision Resistor Array

Datron 4910 voltage reference ass'y [also 1281]

Tolerance 1% (absolute)

Tempco 3 ppm/K (absolute)

Tracking (64 Ω) 0.5 ppm/K

Tracking (other values) 4 ppm/K